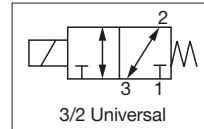
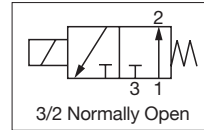
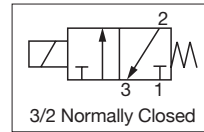


ASCO™ MINIATURE SOLENOID VALVES

GENERAL SERVICE VALVES, 3-WAY UNIVERSAL

- The Series 226 3-way direct acting solenoid valve can be used with both liquids and gases
- Low power consumption, as well as latching coil versions, results in a decrease in OEM instrument power consumption as well as a decrease in heat transferred to the fluid media
- Small form-factor saves space in OEM instruments and are well-suited for portable and hand-held field devices
- Multiple electrical connection options offer greater flexibility in OEM instrument design and serviceability
- Meets all relevant CE directives, and is RoHS compliant
- Typical applications include:
 - Dental Equipment
 - Gas Chromatography
 - Industrial Analyzers
 - Respiratory Devices



Fluids*	Temperature Range	Seal Materials*
Liquids and gases	-10°C to 90°C (14°F to 194°F) (NBR) 0°C to 90°C (32°F to 194°F) (FKM)	NBR or FKM

* Ensure that the compatibility of the materials in contact with the fluids is verified.

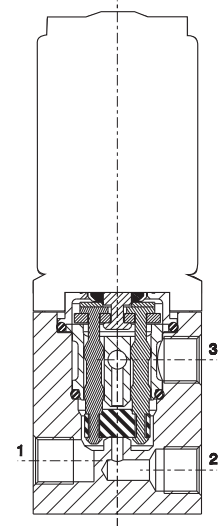
General Valve Information	
Body	Brass
Internal components	Brass, PEI (Polyetherimide) and stainless steel
Seat	1 ↔ 2: Brass - 1 ↔ 3: PEI
Core tube	Brass
Maximum allowable pressure (PS)	16 bar (232 psi)
Response Time	<10ms
Max viscosity	3°E (22 cStokes or mm ² /s)

Electrical Characteristics	
Continuous duty	ED 100%
Encapsulation material	PA (Polyamide) fiberglass reinforced
Insulation class	F (155°C)
Ambient temperature	-10°C to 60°C (14°F to 140°F)
Electric connection*	DIN 46340 – micro plug connector
Electrical Enclosure Protection	IP 65 (EN 60529) with micro plug connector
Standard Voltages	DC: 12 VDC, 24 VDC (+10% - 5%)

* leaded coil on request

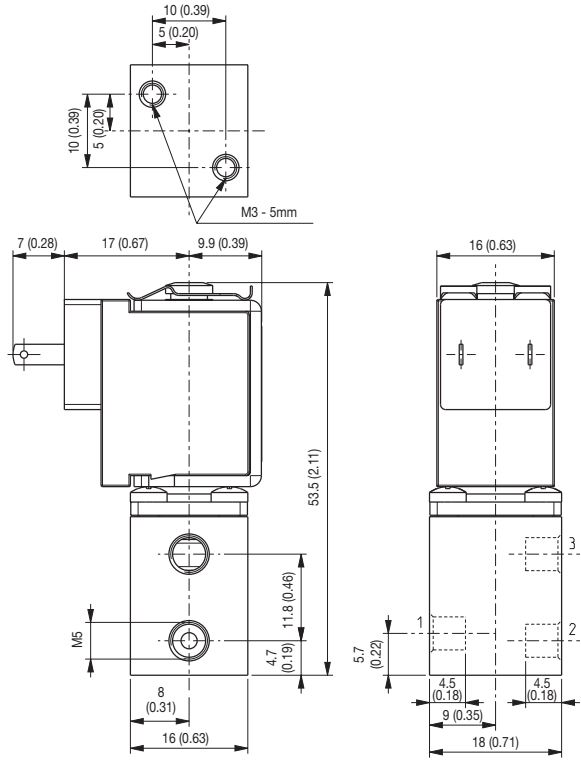
NOTE:

These micro-solenoid valves are not suitable for stagnating media subject to vaporization which deposit solid, calcareous, incrusting residues or similar. Sealings: NBR = Nitrile Butadiene Rubber FKM = Fluoro-carbon elastomer.
1 - For reference, F1 = 24 VDC; F3 = 12 VDC



Specifications																					
Port size ISO UNI 4534	Orifice Size mm (inches)	Operating Pressure, bar (psi)	Δp max	Operating Pressure, bar (psi)				Kv (m ³ /h)	Cv	Power Absorption			Sealings	Catalog Number	Voltage						
				Gases		Liquids				AC (VA)		DC (W)			12V DC	24V DC					
				AC	DC	AC	DC			Inrush	Holding										
				Δp min	AC	DC	AC			DC											
M5	1.2 (0.047)	0	-	6 (87)	6 (87)	0.04	0.05	-	-	2.5	NBR	H226A556S0A00	F3	F1							
													8 (116)	8 (116)	4	H226A557S0A00	F3	F1			
													6 (87)	6 (87)	2.5	H226A559S0A00	-	F1			
													8 (116)	8 (116)	4	H226A560S0A00	-	F1			
													6 (87)	6 (87)	4	H226A566S0A00	-	F1			
													6 (87)	6 (87)		FKM	H226A562S0A00	-	F1		
	2 (0.079)			2.5 (36)	0.08	0.09	2.5 (36)	2.5 (36)	-	-	-	-	4	NBR	H226A558S0A00	-	F1				
																1.5 (22)	1.5 (22)	FKM	H226A567S0A00	F3	-
																1.5 (22)	1.5 (22)	FKM	H226A563S0A00	F3	-

Dimensions: mm (inches)



Installation

Solenoid valve can be mounted in any position; vertical with coil upwards preferred.

NOTE:

It is necessary to keep the current circulating in the coil constant, so as to maintain the solenoid valve in any pre-determined position. In case the solenoid valve is energised by voltage variation, it has to be considered that the resistance of winding increases because of the continued energizing and consequently the power decreases. Therefore, it is necessary to compensate such power decrease by increasing the voltage to re-establish the initial current value.

01075GB-2019-R01