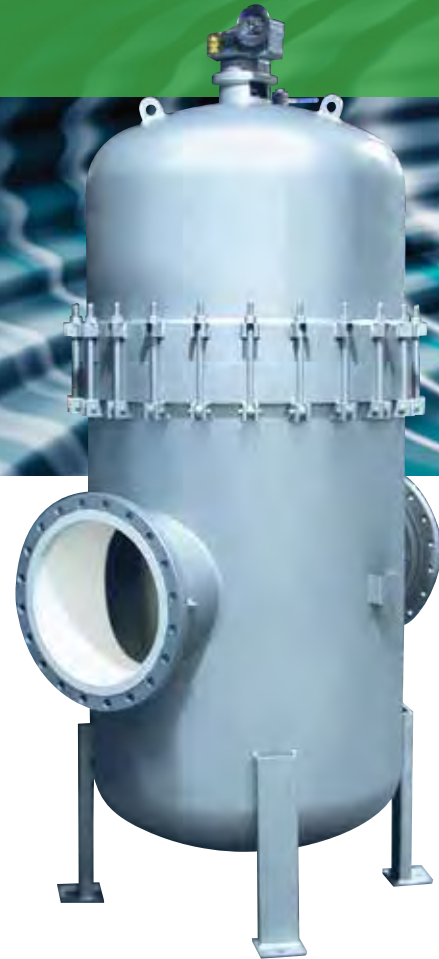


# Model 2596

## 6"-48"



Model 2596 20"

*Eaton's Model 2596 Fabricated Automatic Self-Cleaning Pipeline Strainers are available in 6", 8", 10", 12", 14", 16", 18", 20", 24", 30", 36", 48", and special sizes upon request. Continuous flow, simplified maintenance, and worry-free operation characterize the Model 2596 across numerous industries.*

### FEATURES / BENEFITS

- Flow rates up to 35,000 gpm (7,949 m<sup>3</sup>/hr)
- A broad selection of screen options
- Automatic backwashing for operator-free service and minimal backwash effluent
- Exclusive idL™ Seal for leak free service, available up to 30" only
- Unitized modular assembly for easy maintenance
- Fabricated carbon steel construction

### OPTIONS

- Various grades of stainless steel, copper nickel, MONEL® and other exotic materials of construction
- ASME Section VIII, Div. 1. code stamp available.
- Flanged, screwed, or socket weld backwash connections
- Internal and external epoxy paint or other coatings, upon request, on all carbon steel components for fresh water service applications
- Custom designs are available upon request

The Eaton Model 2596 Automatic Self-Cleaning Strainer is designed for the continuous removal of entrained solids from liquids in pipeline systems.

With an automated control system monitoring the strainer operation, cleaning is accomplished by an integral backwash system. A small portion of the screen element is isolated and cleaned by reverse flow while the remaining screen area continues to strain—providing uninterrupted flow. This efficient design uses only a small amount of the liquid being strained to carry debris away from the strainer element.

The Model 2596 features the idL™ shaft seal that positively prevents leakage from the backwash shaft at the top of the strainer. This unique quad seal keeps the exterior of the strainer dry and prevents external leakage or weeping of the process media down the sides of the strainer.

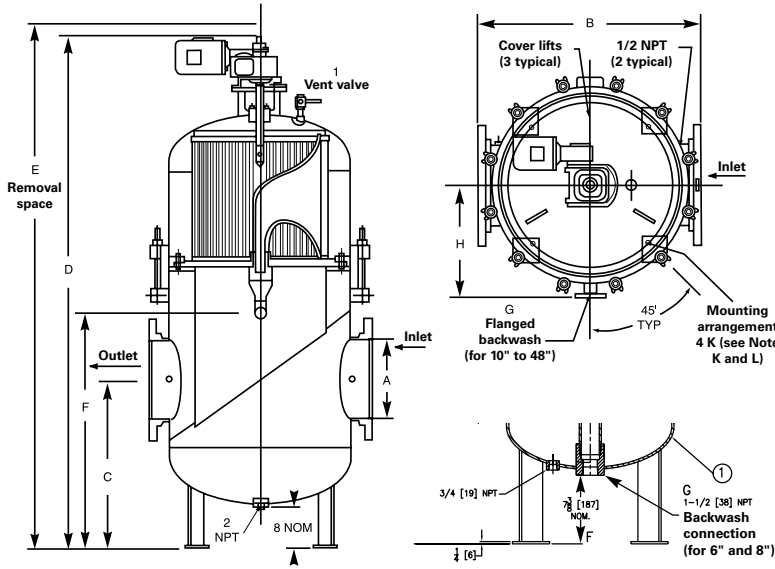
To simplify maintenance the Model 2596 features a unitized modular assembly. The motor, gear reducer, and the internal operating mechanism are housed within the strainer cover and lift off as a unit. This makes all components easily accessible and reduces associated maintenance costs.

MONEL® is a registered trademark of Special Metals Corporation group of Companies.



Powering Business Worldwide

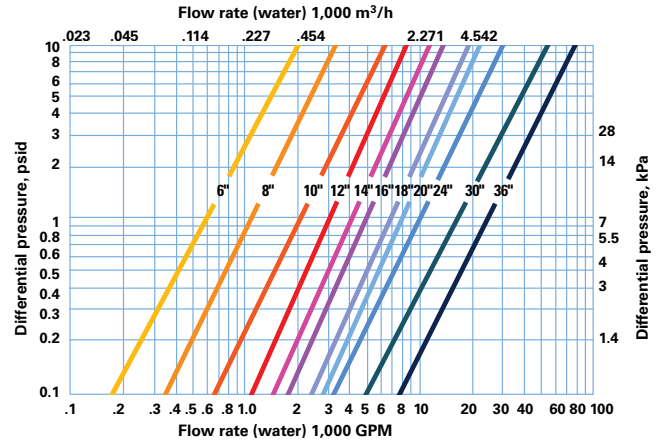
# Model 2596 6" to 48" Fabricated Automatic Self-Cleaning Strainers



Note:  
 K=Diameter bolt hole (4) required 90° apart  
 L=Diameter bolt circle

Dimensions are for reference only. For installation purposes, request certified drawings.

## Model 2596 6" - 36" flow rates



Pressure drop data indicates results to be expected with clean water, under normal flows with standard straining media and in clean strainer.

Approximate dimensions (in)											Approximate weight (lb)		
A	B	C	D	E	F	G	H	K	L		Dry	Wet	Cover
6"	26	20	67	70	7 3/8	1 1/2"	-	-	-		770	1,060	265
8"	26	20	67	70	7 3/8	1 1/2"	-	-	-		770	1,060	265
10"	38	30	88	90	40	2	16	3/4	22 13/100		1,200	2,400	650
12"	42	30	88	90	40	2	18	3/4	26 13/100		1,300	2,700	700
14"	44	32	101	103	46	2	22	7/8	32 13/100		2,000	4,400	850
16"	44	33	101	103	46	2	22	7/8	32 13/100		2,050	4,450	850
18"	50	36	117	120	48	3	23	7/8	34 13/100		3,500	8,300	1,280
20"	54	37	120	123	50	3	25	7/8	38 13/100		3,700	10,000	1,480
24"	54	39	124	127	54	3	25	7/8	38 13/100		3,830	10,160	1,480
30"	64	51	147	151	76	3	30	7/8	48 13/100		5,000	13,400	2,000
36"	84	56	176	182	72	6	37	1 1/8	66		9,360	24,735	4,520

48" and special sizes can be fabricated upon request.

\* NPT Backwash connection/outlet is located bottom-center

## Sizes 6" through 48"

### Application limits

Fabricated strainers are designed within the limits of the customer's specifications and design criteria along with any applicable code requirement, i.e. ASME Section VIII Div. 1.

### Model 2596 Cv factors\*

Size	6"	8"	10"	12"	14"	16"	18"	20"	24"	30"
Value	580	1,150	2,050	3,050	4,150	5,100	6,900	8,100	10,100	16,900

\* For water with clean, perforated basket

**North America**  
 44 Apple Street  
 Tinton Falls, NJ 07724  
 Toll Free: 800 656-3344  
 (North America only)  
 Tel: +1 732 212-4700

**Greater China**  
 No. 7, Lane 280,  
 Linhong Road  
 Changning District, 200335  
 Shanghai, P.R. China  
 Tel: +86 21 5200-0099

**Europe/Africa/Middle East**  
 Auf der Heide 2  
 53947 Nettersheim, Germany  
 Tel: +49 2486 809-0

**Asia-Pacific**  
 100G Pasir Panjang Road  
 #07-08 Interlocal Centre  
 Singapore 118523  
 Tel: +65 6825-1668

Friedensstraße 41  
 68804 Altlußheim, Germany  
 Tel: +49 6205 2094-0  
 An den Nahewiesen 24  
 55450 Langenlonsheim, Germany  
 Tel: +49 6704 204-0

For more information, please  
 email us at [filtration@eaton.com](mailto:filtration@eaton.com)  
 or visit [www.eaton.com/filtration](http://www.eaton.com/filtration)

US  
 EF-SSEA-27  
 09-2021

© 2021 Eaton. All rights reserved. All trademarks and registered trademarks are the property of their respective owners. All information and recommendations appearing in this brochure concerning the use of products described herein are based on tests believed to be reliable. However, it is the user's responsibility to determine the suitability for his own use of such products. Since the actual use by others is beyond our control, no guarantee, expressed or implied, is made by Eaton as to the effects of such use or the results to be obtained. Eaton assumes no liability arising out of the use by others of such products. Nor is the information herein to be construed as absolutely complete, since additional information may be necessary or desirable when particular or exceptional conditions or circumstances exist or because of applicable laws or government regulations.